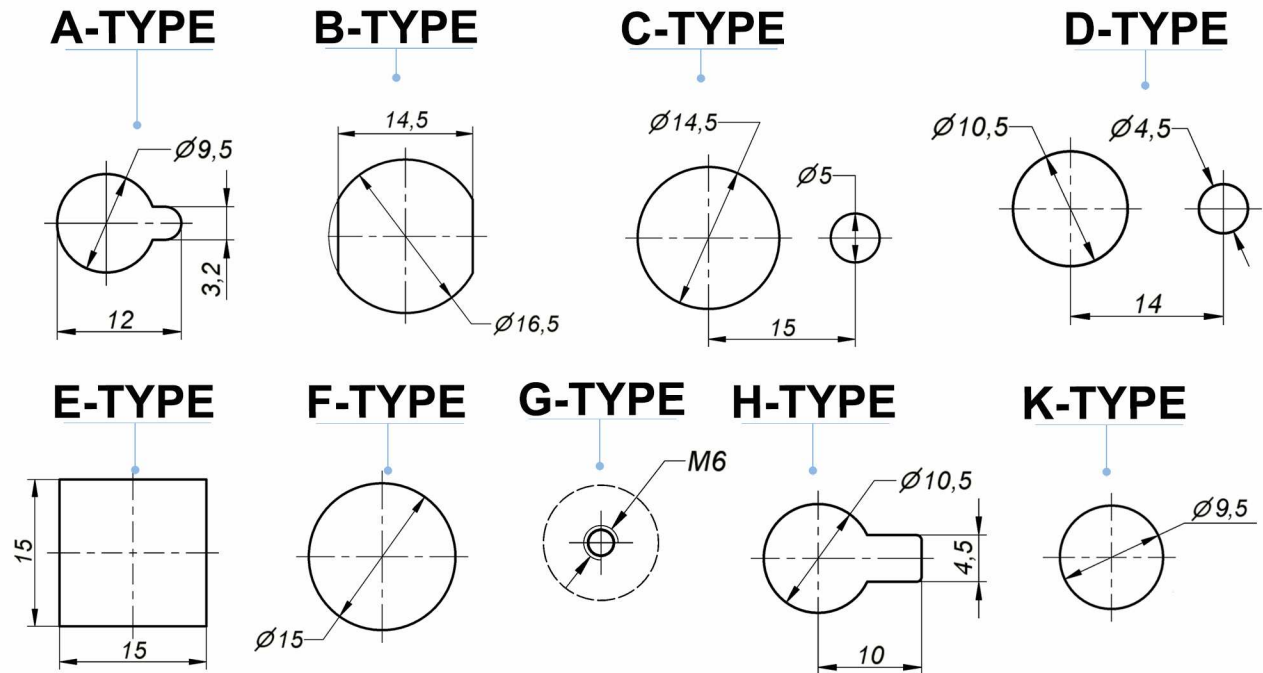




# UNICON



# MOUNTING HOLES FOR CAR ANTENNAS



The subject of activity of UNICON is satisfying the demands of the market customers for products, parts and electronic subassemblies designed for the automotive, electronic and cable television industries, as well as for research resources. The production and sales program includes about 300 products of a great technical variety. With the use of our technical knowledge we can offer our clients many modern solutions. The company's achievements, the development potential and investment in quality are the premises that provide favorable conditions for further development of the company. Keeping in mind the fast-growing automotive and electronic market and willing to match the best, we are open to a broad cooperation with external partners. We have the reputation of a reliable partner and our position on the constantly developing and competing market is strong. In order to provide our customers with the highest quality products and services UNICON has implemented ISO 9001:2008 quality system.

UNICON Sp. z o.o.  
78-200 Białogard, ul. Gdyńska 18  
tel. +48 94 312 2431,  
fax. +48 94 312 4336  
www.unicon.com.pl



## CERTYFIKAT CERTIFICATE

Przyznany organizacji:  
Issued for:  
**UNICON Sp. z o.o.**  
ul. Gdyńska 18  
78-200 Białogard

Biuro Certyfikacji Systemów Zarządzania Polskiego Rejestru Statków S.A., al. gen. Józefa Hallera 126, 80-416 Gdańsk, zaświadcza, że System Zarządzania Jakością wyżej wymienionej organizacji został oceniony i stwierdzono jego zgodność z wymaganiami:  
Management Systems Certification Bureau of Polski Rejestr Statków S.A., al. gen. Józefa Hallera 126, 80-416 Gdańsk, certifies that the Quality Management System of the above organization has been assessed and found to be in accordance with the requirements of:

**ISO 9001:2008**

Zakres certyfikacji:  
PRODUKCJA I SPRZEDAŻ

- ANTEN SAMOCHODOWYCH I OSPRZĘTU ANTENOWEGO, ANTEN KOMUNIKACYJNYCH
- ZŁĄCZ W.C.Z. (NP. N, BNC, TNC, SMA, UHF, F, IEC 9.5 I INNYCH - SPELNIAJĄCYCH STANDARDY MIĘDZYNARODOWE EN IEC)
- ZŁĄCZY ELEKTROAKUSTYCZNYCH M.CZ. (NP. TYPU JACK, DIN, RCA (CHINCH) I INNYCH - SPELNIAJĄCYCH STANDARDY MIĘDZYNARODOWE EN IEC)
- ZŁĄCZY MAGISTRALNYCH, OSPRZĘTU ANTENOWEGO I SIECIOWEGO (NP. DO TV-SAT I CATV)

ŚWIADCZENIE USŁUG W ZAKRESIE

- Gniazdo bezpiecznika, elektromechanicznych podzespołów stykowych
- Obróbka mechaniczna metali (np. obróbka skrawaniem, obróbka bezwiórowa - tłoczenie i wykrawanie)
- Obróbka galwaniczna (np. niklowanie, cynkowanie, cynkowanie, srebrzenie)
- Przetwórstwo tworzyw sztucznych

Scope of certification:  
MANUFACTURE AND SALE OF

- CAR ANTENNAS AND ANTENNA FITTINGS, COMMUNICATION ANTENNAS
- RADIO-FREQUENCY CONNECTOR (E.G. OF TYPES N, BNC, TNC, SMA, UHF, F, IEC 9.5 AND OTHERS COMPLYING WITH EN EC STANDARDS)
- LOW-FREQUENCY ELECTROACOUSTIC CONNECTORS (E.G. OF TYPES JACK, DIN, RCA, CHINCH, BUS-BAR CONNECTORS, AND OTHERS COMPLYING WITH EN EC STANDARDS)
- BUS CONNECTORS, ANTENNA AND NETWORK (E.G. FOR FITTINGS FOR TV-SAT AND CATV)

PROVISION OF SERVICES WITHIN THE SCOPE OF

- MECHANICAL WORKING OF METALS (E.G. MACHINING CHIPLESS FORMING - PRESS FORMING AND SHEARING)
- ELECTROPLATING (E.G. NICKEL-, TIN-, ZINC-, SILVER PLATING)
- PLASTICS PROCESSING

Certyfikat jest ważny do:  
The Certificate is valid until:

29.03.2014

Nr Certyfikatu: **NC-1947**  
Certificate No.:

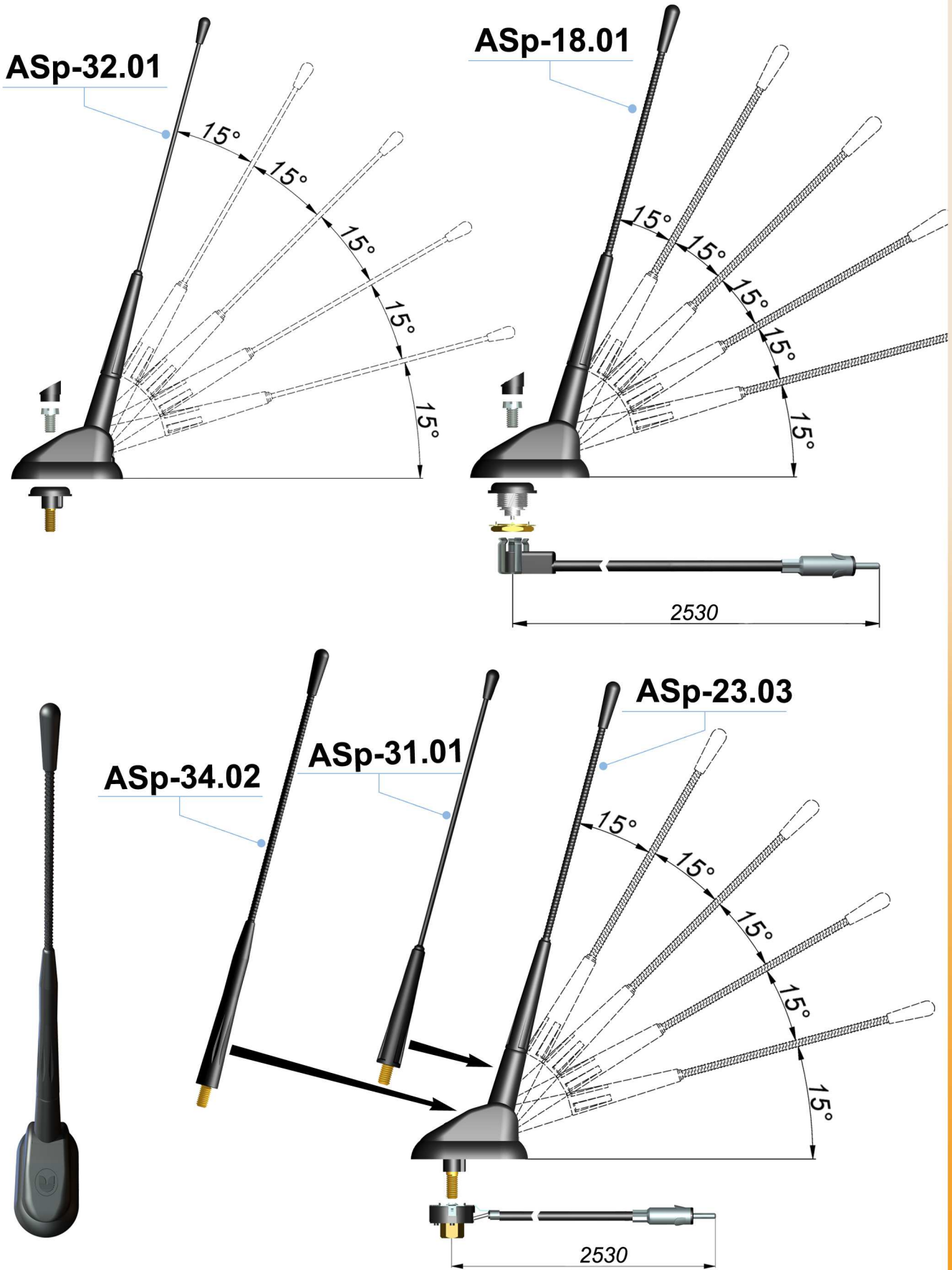


*Jan Jankowski*  
Jan Jankowski  
*Andrzej Kufel*  
Andrzej Kufel

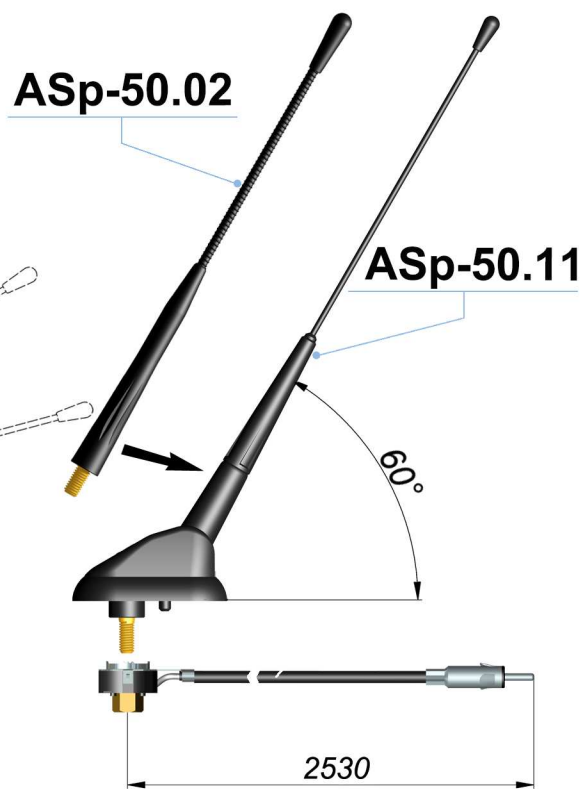
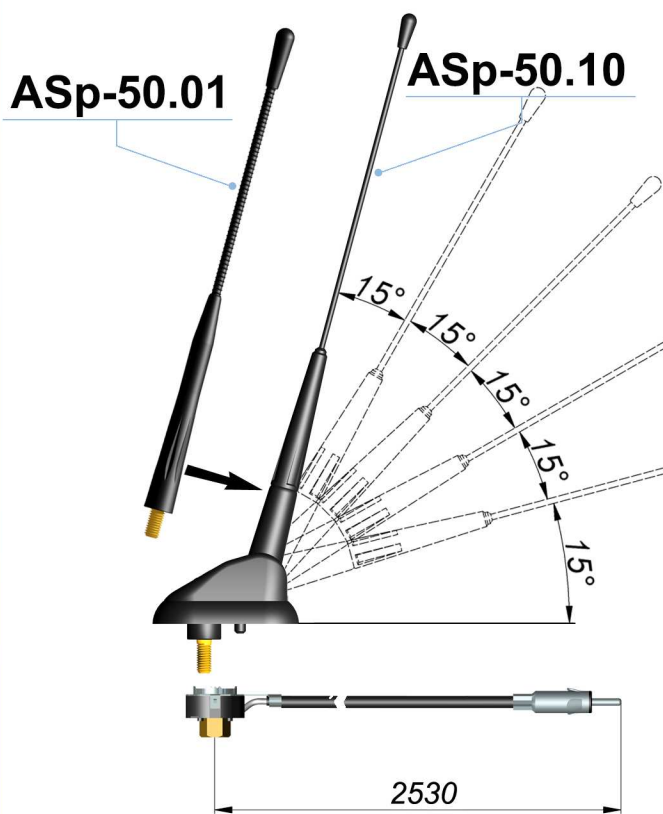
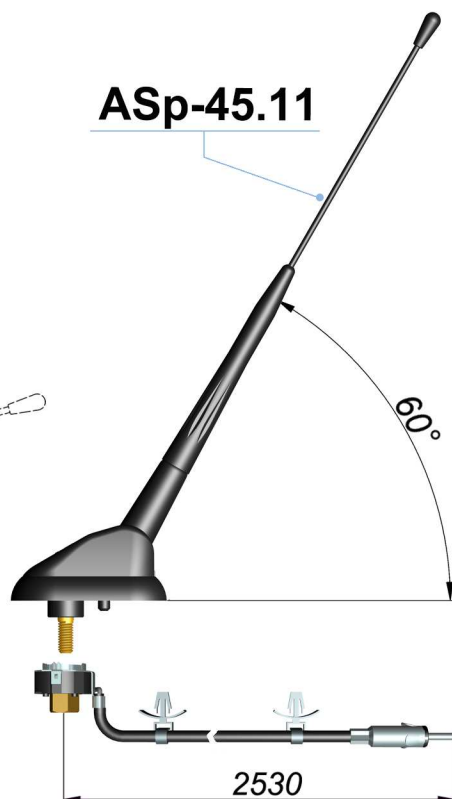
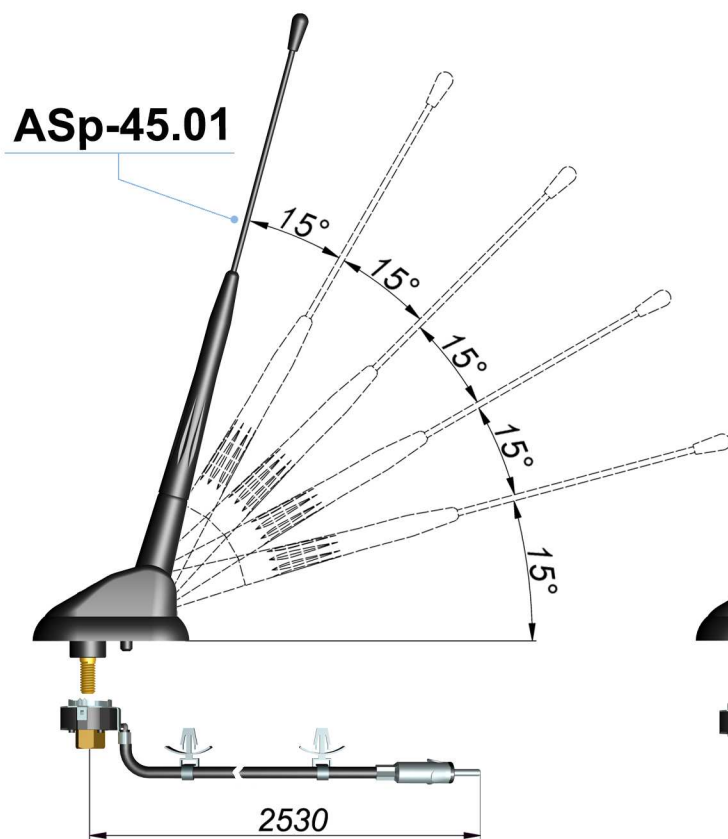
Gdańsk, 30.03.2011

AC 014  
QMS

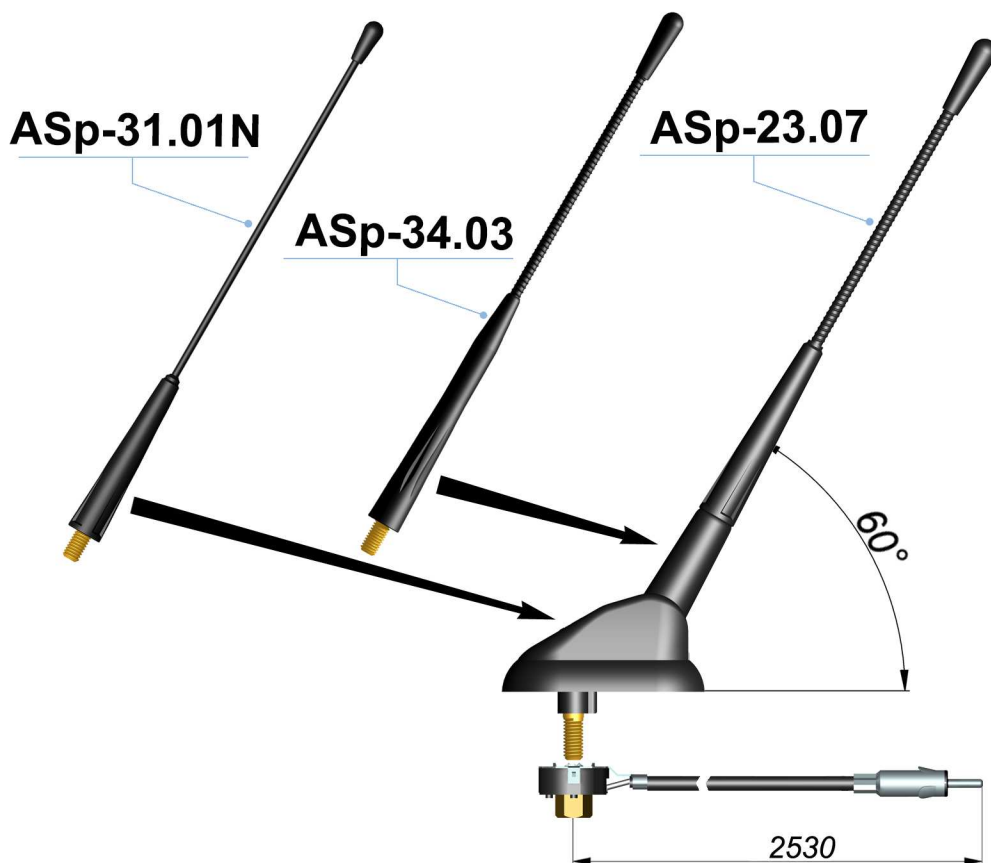
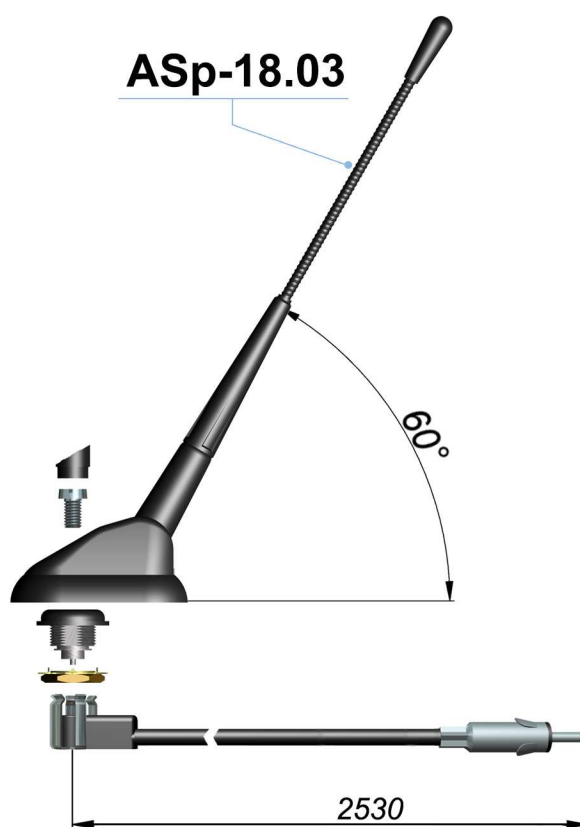
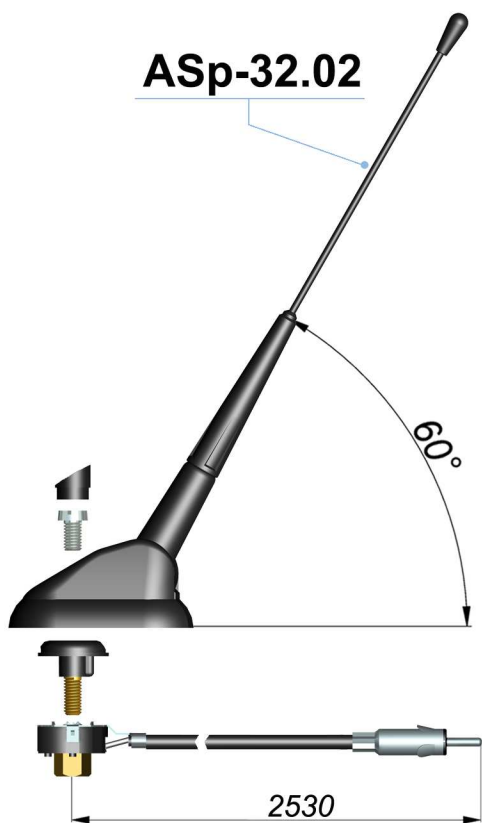
Sales department  
tel. +48 94 312 4076  
e-mail: sprzedaz@unicon.com.pl  
marketing@unicon.com.pl



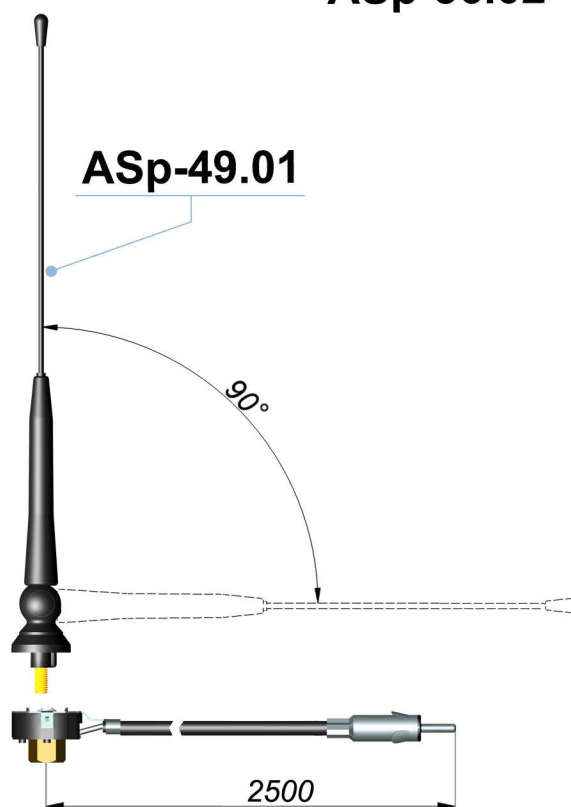
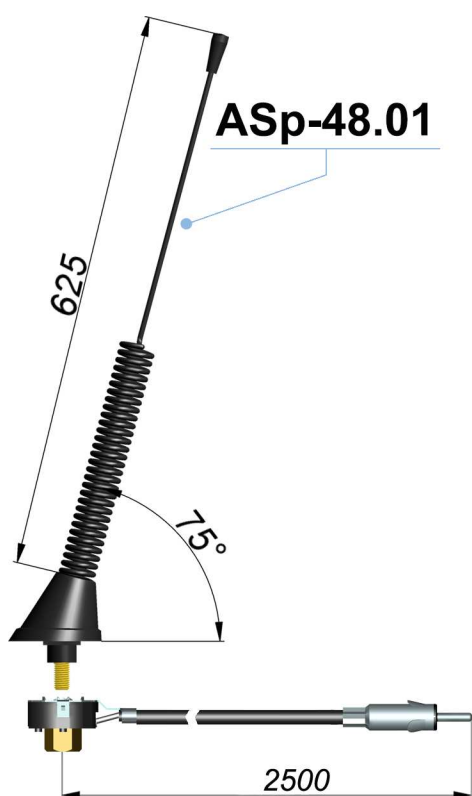
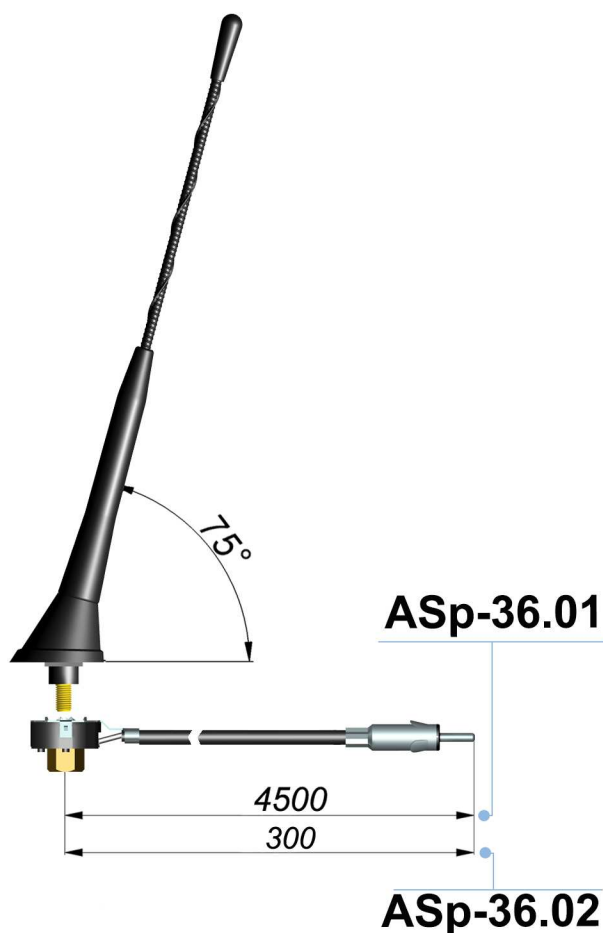
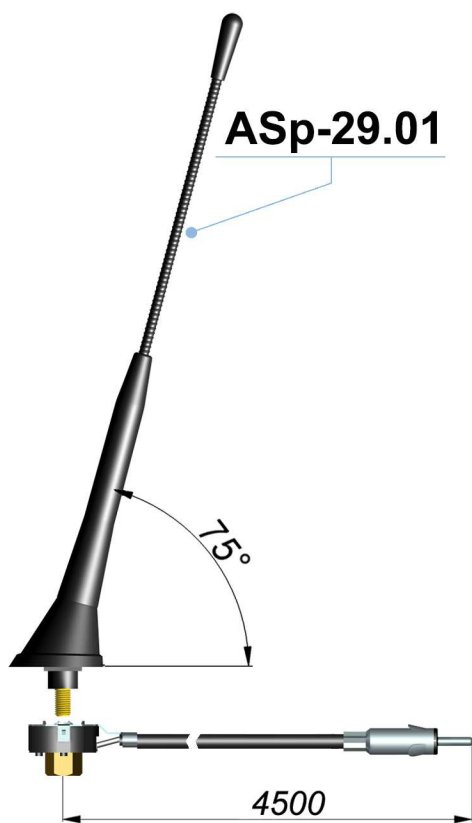
Symbol	Asp 18.01	Asp 23.03	Asp 31.01	Asp 32.01	Asp 34.02
Catalogue number	632 018 010	632 023 040	632 031 002	632 032 001	632 034 002
Antenna rod type	18.01	23.01	42.02	45.02	43.01
Mounting hole type	B			A	
Rod inclination			fixed		
Application	CINQUECENTO		PUNTO	SEICENTO	



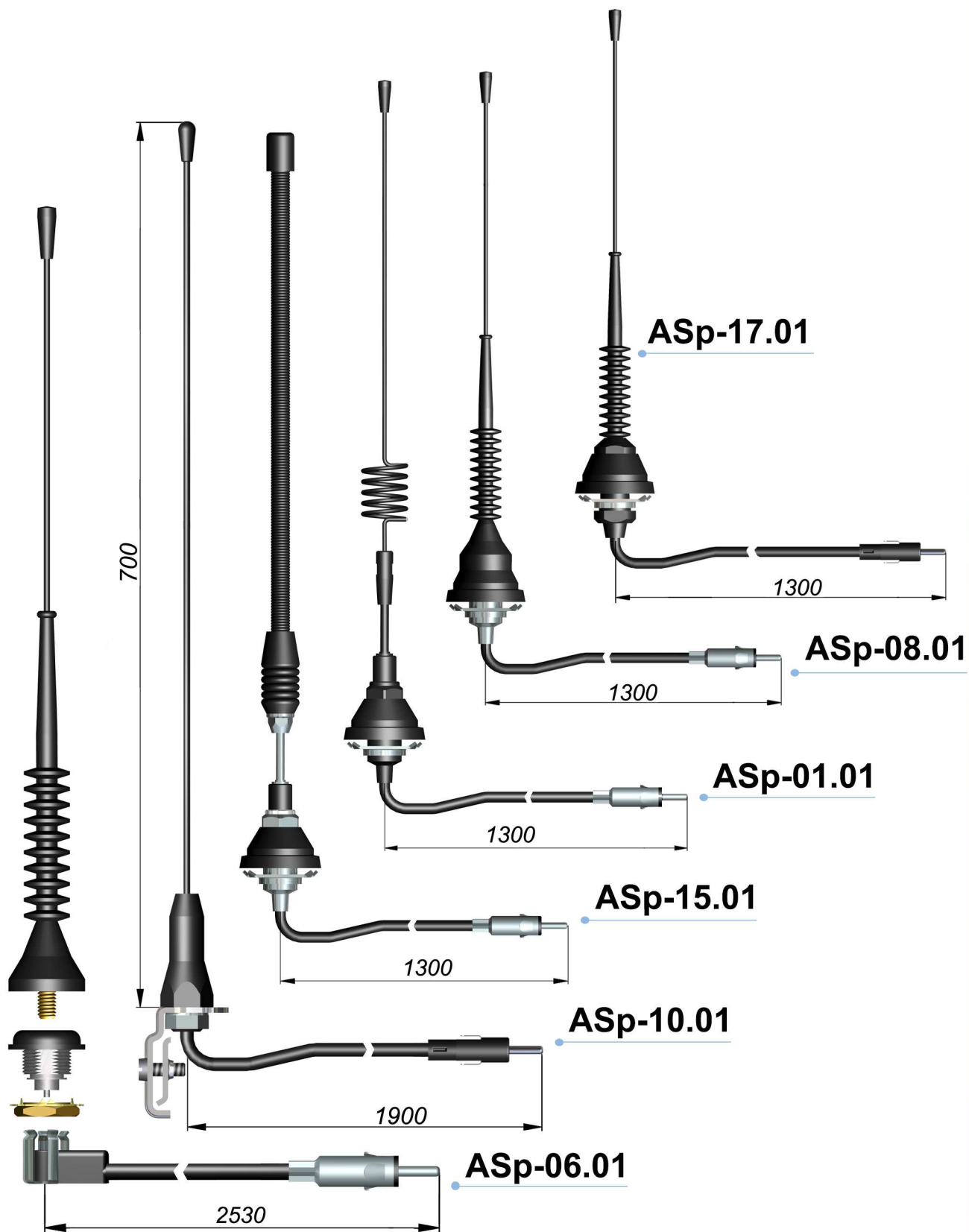
Symbol	ASp-45.01	ASp-45.11	ASp-50.01	ASp-50.02	ASp-50.11	ASp-50.10
Catalogue number	632 045 001	632 045 011	632 050 001	632 050 002	632 050 011	632 050 010
Antenna rod type	01.01	06.01	15.01	08.01	inflexible	
Mounting hole type	C			D		
Rod inclination	adjustable	rigid	adjustable	rigid	adjustable	
Application	MATIZ	LANOS	RENAULT CITROEN PEUGEOT			



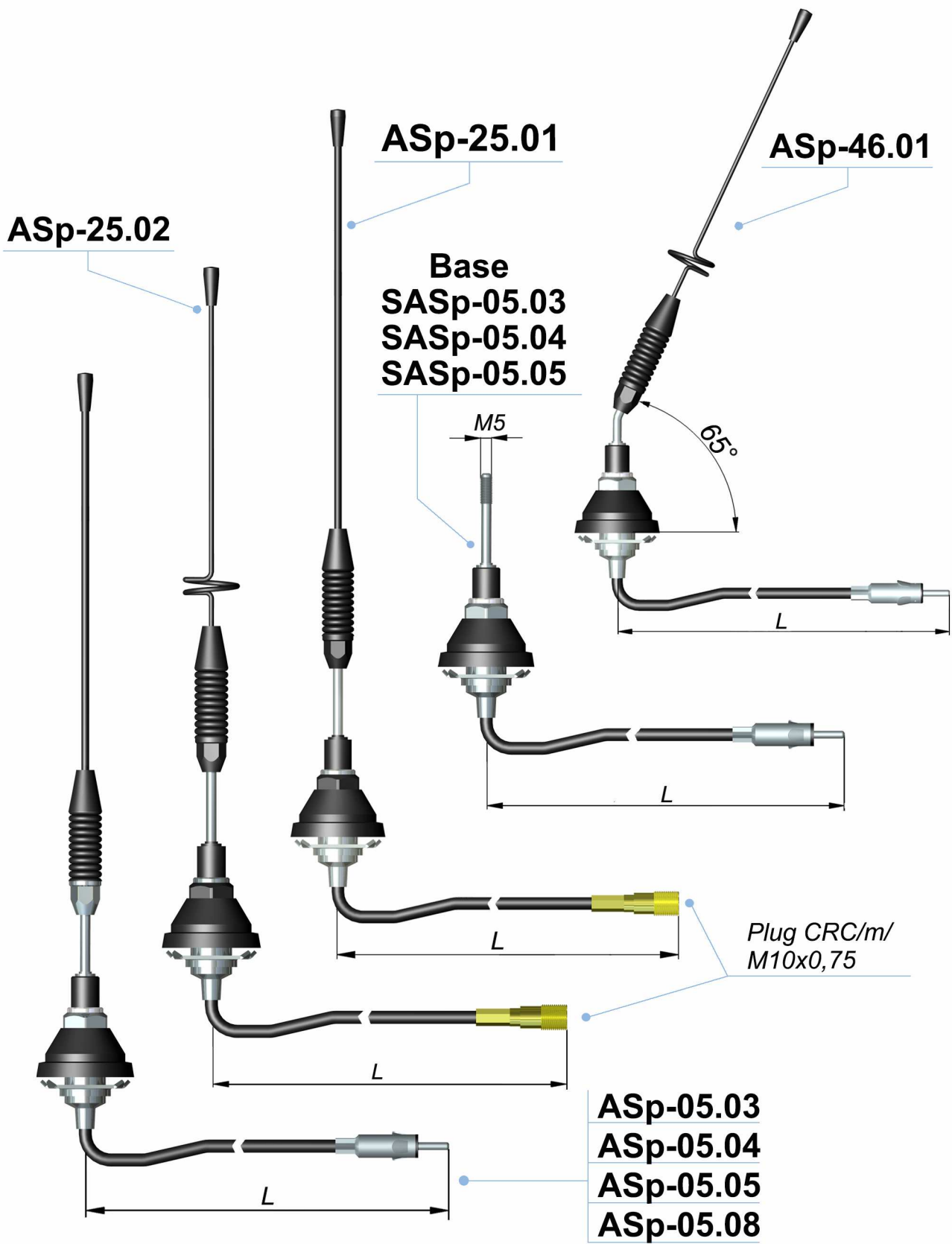
Symbol	ASp-18.03	ASp-23.07	ASp-31.01N	ASp-32.02	ASp-34.03
Catalogue number	632 018 011	632 023 011	632 031 012	632 032 002	632 034 003
Antenna rod type	18.01	23.01	42.02	45.02	43.01
Mounting hole type	B	A			
Rod inclination	fixed				
Application	CINQUECENTO		FIAT SEICENTO PUNTO		



Symbol	ASp-29.01	ASp-36.01	ASp-36.02	ASp-48.01	ASp-49.01
Catalogue number	632 029 001	632 036 001	632 036 002	632 048 001	632 049 001
Antenna rod type	29.01	35.01		48.01	49.02
Mounting hole type	E				A
Rod inclination	fixed				regulated 0-90°
Application	VOLKSWAGEN SKODA		AUDI SEAT		



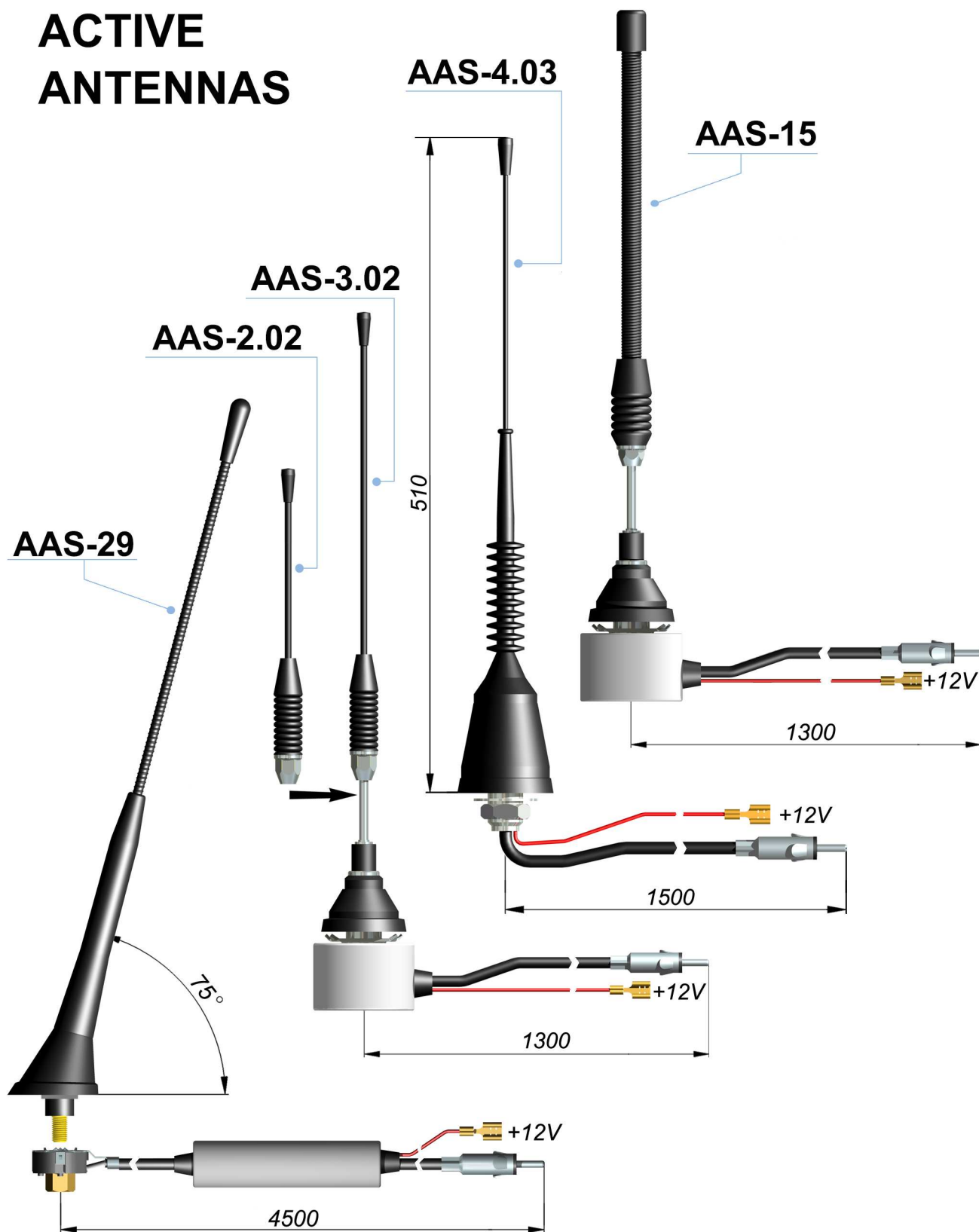
Symbol	ASp-01.01	ASp-06.01	ASp-15.01	ASp-08.01	ASp-10.01	ASp-17.01
Catalogue number	632 001 001	632 006 001	632 015 001	632 008 001	632 010 001	632 017 001
Antenna rod type	01.01	06.01	15.01	08.01	inflexible	
Mounting hole type	F	B	G	F		
Rod inclination	permanent	possibility of a single adjustment of inclination			permanent	permanent
Application	universal			gutter mount	universal	



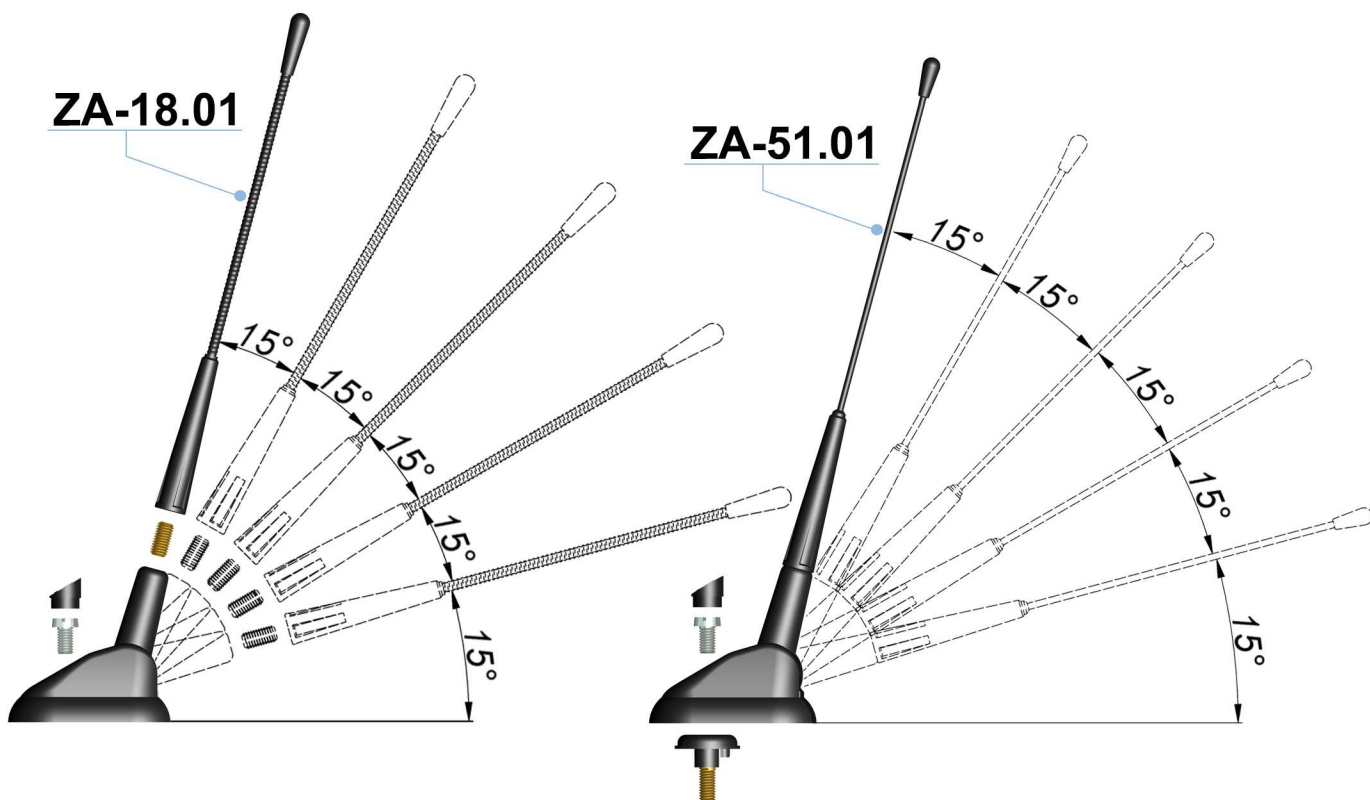
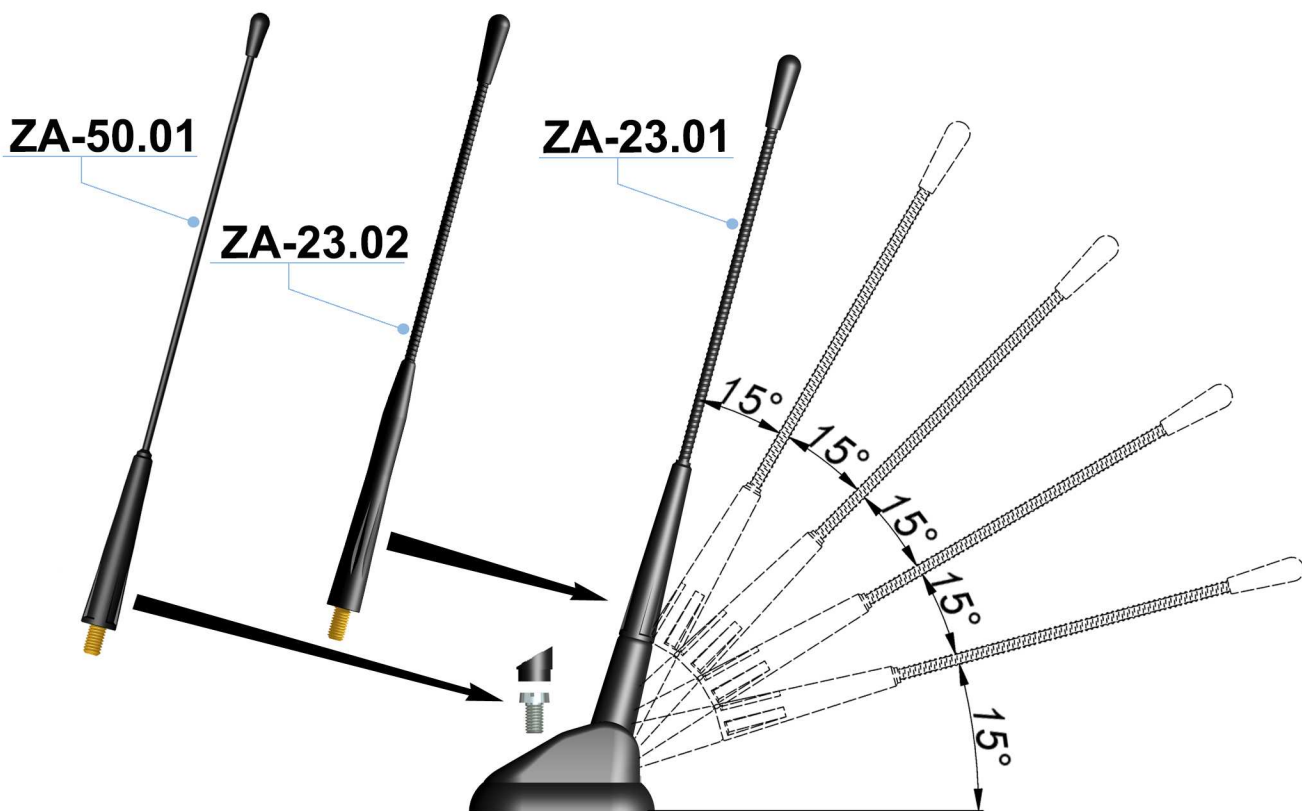
Symbol Catalogue number	ASp-05.03 632 005 030	ASp-05.04 632 005 040	ASp-05.05 632 005 050	ASp-05.08 632 005 080	ASp-25.01 632 025 001	ASp-25.02 632 025 002	ASp-46.01 632 046 001	SASp-05.03 650 405 030	SASp-05.04 650 405 040	SASp-05.05 650 405 050
Antenna rod type	05.03				46.01		x	x	x	
Cable length L	1,3	4,5	1,6	2,5	0,3	0,3	1,3	1,3	4,5	1,6
Mounting hole type	F									
Rod inclination	possibility of a single adjustment of inclination									
Application	universal									



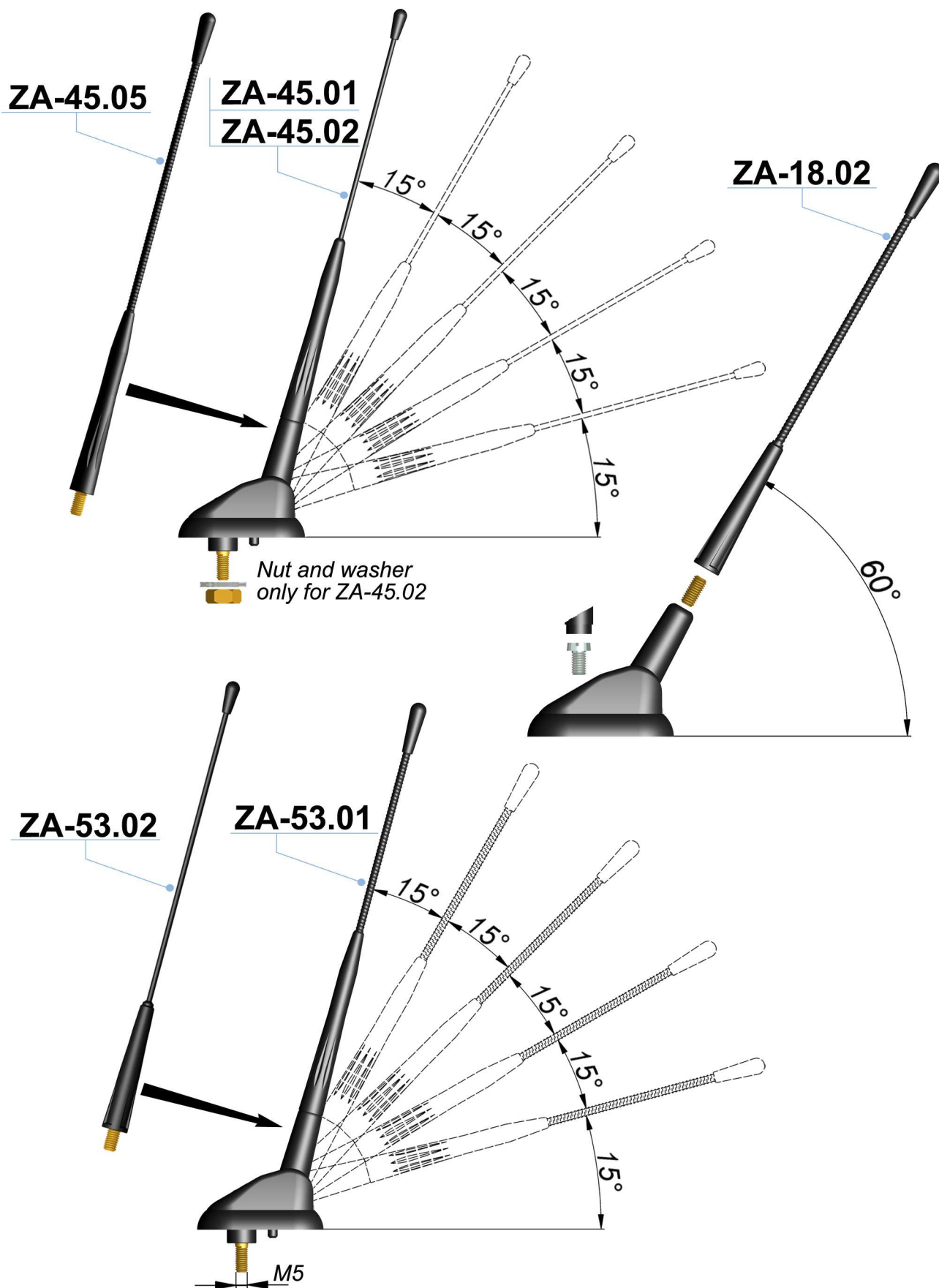
# ACTIVE ANTENNAS



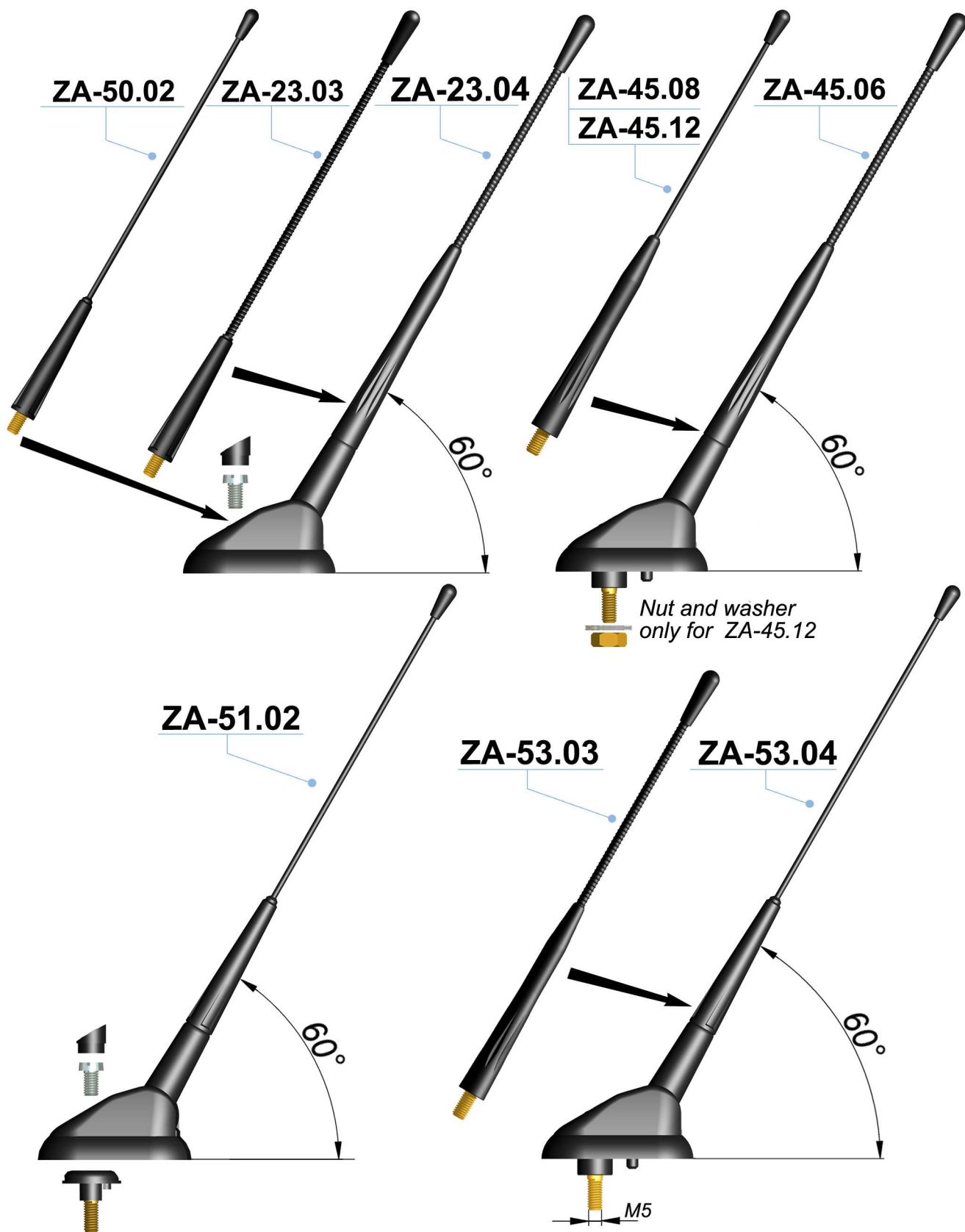
Symbol	AAS-2.02	AAS-3.02	AAS-4.03	AAS-15	AAS-29
Catalogue number	632 102 020	632 103 020	632 104 030	632 015 010	632 029 001
Antenna rod type	2.2	05.03	X	15.01	29.01
Mounting hole type	F				E
Rod inclination	possibility of a single adjustment of inclination				fixed
Application	signal amplification AM / FM >8dB				



Symbol	ZA-18.01	ZA-23.01	ZA-23.02	ZA-50.01	ZA-51.01
Catalogue number	650 318 010	650 323 010	650 323 020	650 350 001	650 351 001
Antenna rod type	18.01	23.01	43.01	42.02	
Mounting hole type	G			H	
Rod inclination	adjustable				
Application	CINQUECENTO SEICENTO PUNTO			PALIO ALBEA SIENA	



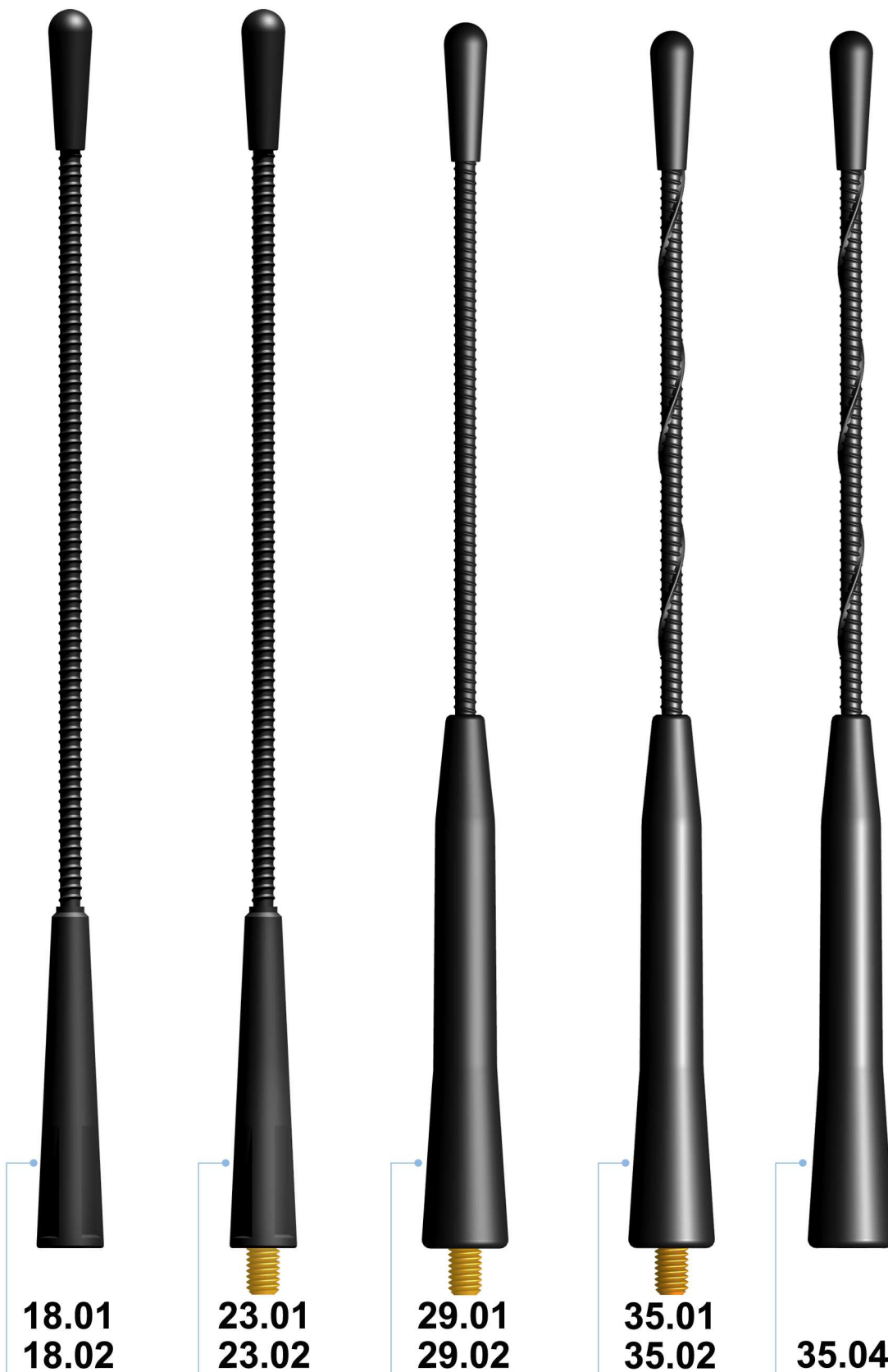
Symbol	ZA-18.02	ZA-45.01	ZA-45.02	ZA-45.05	ZA-53.01	ZA-53.02
Catalogue number	650 018 011	650 345 001	650 345 002	650 345 005	650 353 001	650 353 010
Antenna rod type	18.01	45.01		43.01	43.01	42.02
Mounting hole type	G			C		D
Rod inclination	fixed	adjustable				
Application	CINQUECENTO SEICENTO	LANOS MATIZ			CITROEN RENAULT PEUGEOT	



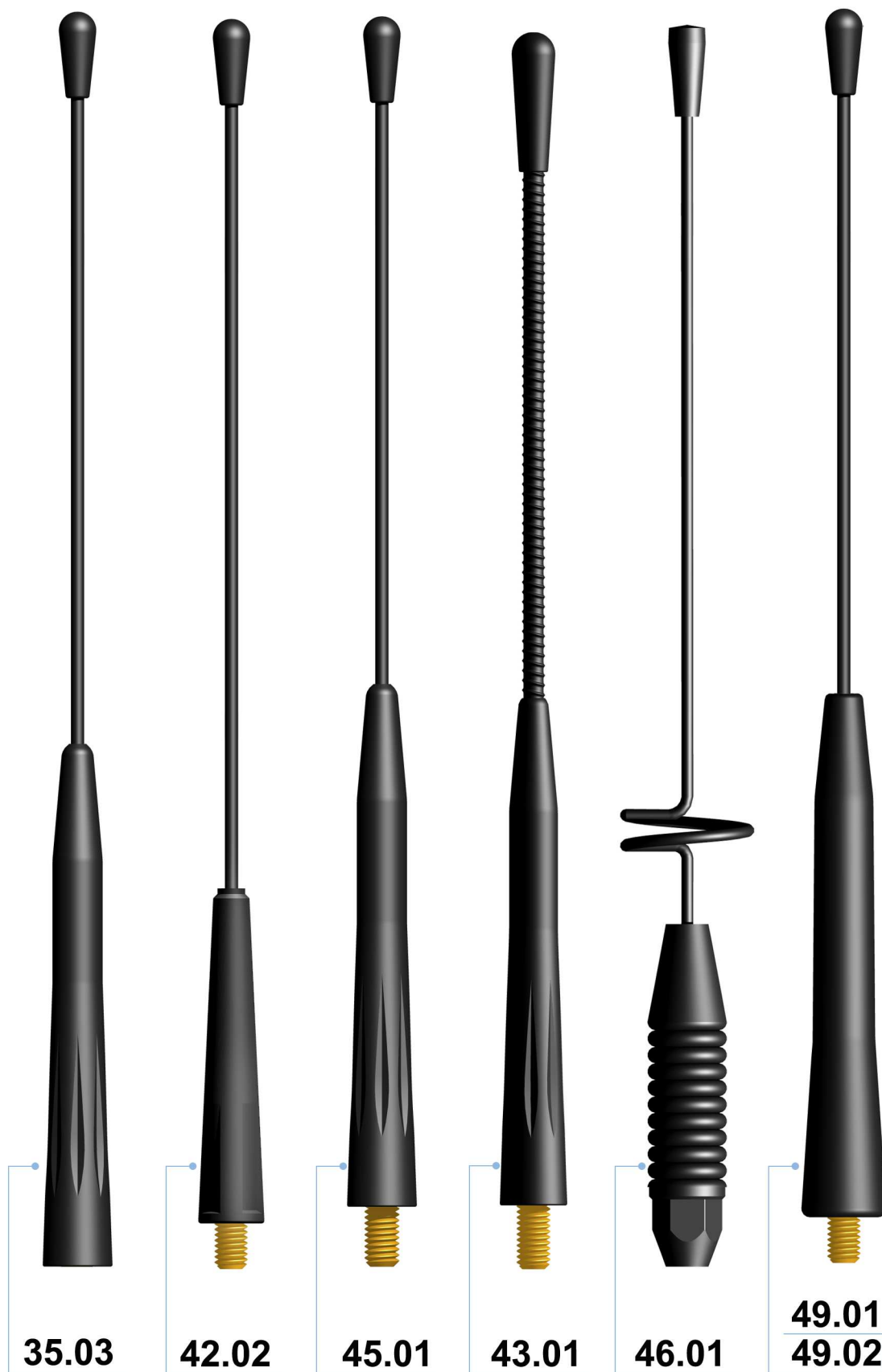
Symbol Catalogue number	ZA-23.03 650 323 011	ZA-23.04 650 323 012	ZA-50.02 650 350 002	ZA-45.08 650 345 008	ZA-45.12 650 345 012	ZA-45.06 650 345 006	ZA-51.02 650 351 002	ZA-53.04 650 353 011	ZA-53.03 650 353 002
Antenna rod type	23.01	43.01	42.02	45.01		43.01	42.02		43.01
Mounting hole type	G			C			H	D	
Rod inclination	fixed								
Application	CINQUECENTO SEICENTO PUNTO			MATIZ LANOS		SIENA PALIO ALBEA	CITROEN RENAULT PEUGEOT		



Antenna rod type	01.01	2.2	05.3	06	08.01	15.01
Catalogue number	650 201 001	650 202 002	650 205 003	650 206 001	650 208 001	650 215 001
Rod length	628 mm	420 mm	760 mm	721 mm	815 mm	300 mm
Thread type		internal M5		external M6		internal M5
Coat type		powder paint				heat shrink tube
Rod type		steel flexible				spring steel
Application		universal				

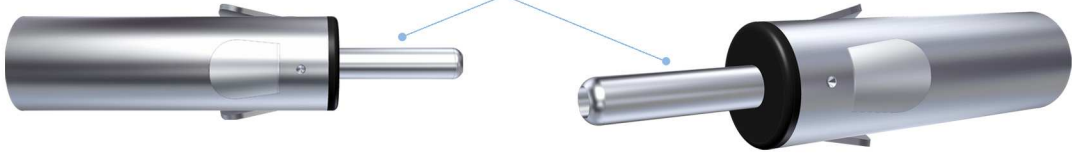


Antenna rod type Catalogue number	18.01 650 218 001	18.02 650 218 002	23.01 650 223 001	23.02 650 223 002	29.01 650 229 001	29.02 650 229 002	35.01 650 235 001	35.02 650 235 002	35.04 650 235 004
Thread type	internal M6	internal M5	external M6	external M5	external M6	external M5	external M6	external M5	internal M5
Rod length	431 mm				387 mm				397 mm
Coat type	HEAT SHRINK TUBE								
Rod type	FLEXIBLE GLASS FIBRE								
Plastic lower part	RIGID					FLEXIBLE			
Application	FORD FRENCH MAKES		FIAT PANDA			UNIVERSAL	GROUP VOLKSWAGENA		UNIVERSAL

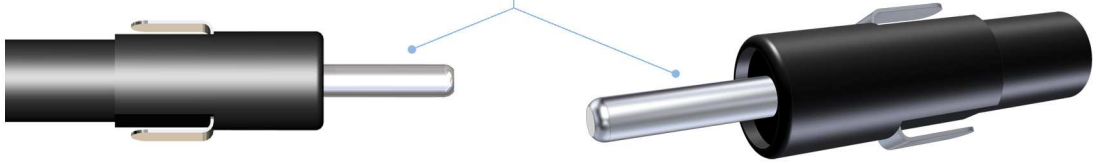


Antenna rod type	35.03	42.02	45.01	43.01	46.01	49.01	49.02
Catalogue number	650 235 003	650 242 002	650 245 001	650 243 001	0 246 001	650 249 001	650 249 002
Rod length	650 mm	536 mm	636 mm	375 mm	778 mm	482 mm	
Thread type	internal M6LH	external M6			internal M5	external M6	
Coat type	heat shrink tube				powder paint		
Rod type	steel flexible			glass fibre	steel flexible		
Rod lower part	flexible	rigid			flexible	rigid	
Application	MATIZ	universal	MATIZ	French makes	universal	VOLKSWAGEN group	

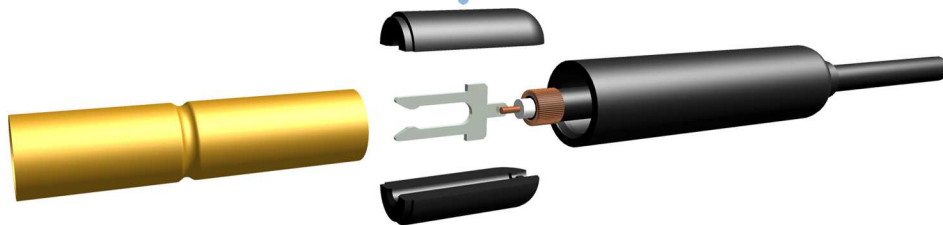
**CAR ANTENNA PLUG WSA-06.01**



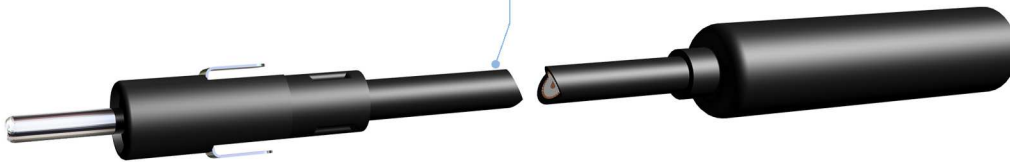
**CAR ANTENNA PLUG WSA-4**



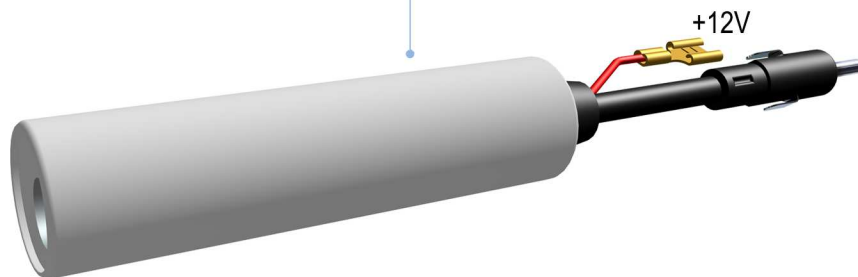
**CAR ANTENNA SOCKET FOR NSA-3.01 CABLE**



**CAR ANTENNA CABLE EXTENSION AP-6; AP-7; AP-8; AP-9; AP-10**



**AM/FM SIGNAL AMPLIFIER - WS1.1; WS1.2**



Equipment symbol Catalogue number	WSA-06.01 650 106 001	WSA-4 650 104 001	NSA-3.01 650 123 001	AP-6 650 501 060	AP-7 650 501 070	AP-8 650 501 080	AP-9 650 501 090	AP-10 650 501 100	WSA1.1 650 503 001	WSA1.2 650 503 001
Cable length	x			0,5m	1m	1,5m	2m	3m	0,3m	1,3m
Cable mounting	Internal strand soldered/body clamped			x						
Body plug	metal	plastic	x	plastic						
Application	universal									